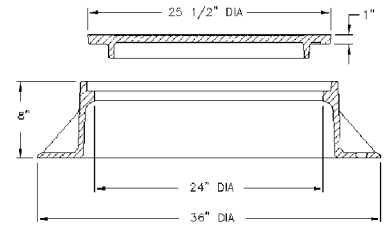


### 1944 FRAME & COVER

Heavy duty  
Machined bearing surfaces

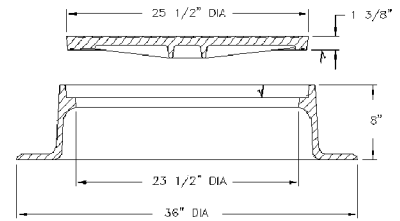
- Options  
Solid or vented covers  
Watertite assembly  
Adjusting risers  
Accepts 1930 covers



### 1950 FRAME & COVER

Heavy duty  
Machined bearing surfaces

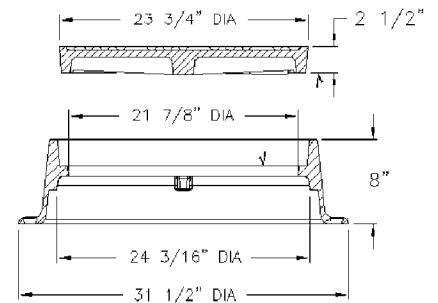
- Options  
Solid or vented covers  
Gasket seal covers  
Watertite assembly



### 1960 FRAME & COVER

Heavy duty  
Machined bearing surfaces

- Options  
Gasket seal covers  
Adjusting risers



Supplied By:

**TRENCHDRAIN  
SUPPLY**

877-903-7246

www.trenchdrainsupply.com

